

Weatherby®

BOLT ACTION RIMFIRE RIFLE
OWNER'S MANUAL

Read the instructions and warnings in this manual carefully before using this firearm

WEATHERBY® is a registered trademark of Weatherby, Inc.

against "slob" hunters.

TEN COMMANDMENTS OF FIREARMS SAFETY

Prevention is the solution to hunting and shooting casualties. Every hunting and shooting accident that has occurred could have been prevented. Most such accidents happen as a result of people ignoring basic firearms safety rules. Prevention involves knowing and obeying those basic safety rules. Responsible, knowledgeable, and safe hunters and shooters will learn, remember and follow these simple rules:

1. Control the direction of your firearm's muzzle. Carry your firearm safely, keeping the safety on until ready to shoot. Keep your finger off the trigger until ready to shoot.
2. Identify your target and what is beyond it. Know the identifying features of the game you hunt or the targets you intend to shoot.
3. Treat every firearm with the same respect due a loaded firearm.
4. Be sure the barrel and action are clear of obstructions and that you have only ammunition of proper size for the firearm you are carrying.
5. Whenever not in use, keep your firearm unloaded and store all ammunition in a separate location.
6. Never point a firearm at anything you do not want to shoot. Avoid all horseplay with a firearm.
7. Never climb a fence or tree, or jump a ditch or log, with a loaded firearm. Never pull a firearm toward you by the muzzle.
8. Never shoot at a flat hard surface or water. During target practice, be sure your backstop or shot-fall area is adequate.
9. Store firearms and ammunition separately beyond the reach of children and careless adults.
10. Avoid alcoholic beverages or other mood-altering drugs before or while shooting.

EXERCISE EXTREME CAUTION

Heed and follow these additional gun handling warnings whenever using any firearm

- Be sure the barrel is clear of any obstruction before loading. Make it a habit to check the barrel every time before reloading.
- Never place a loaded gun into a vehicle or lean the gun against any object. The gun should be emptied and placed into a case when not in use.
- Keep the safety on at all times. Move the safety to the "FIRE" position only when you are sure that a shot is imminent.
- While loading or unloading, make sure the gun is pointed in a safe direction. Keep your finger off the trigger while operating the action.
- Treat every gun as if it is loaded - it may be!
- If you do not thoroughly understand the proper use and care of your gun, seek the advice of someone you know is competent.
- Do not abuse your hunting privileges. Both can be taken away from you due to public pressure

WEATHERBY SERVICE POLICY

Weatherby is a name that has been synonymous with quality firearms for over 50 years. All Weatherby® firearms are manufactured of the finest materials and have been thoroughly inspected and tested in every phase of production. Because of the confidence we have in our products, Weatherby does not provide a written warranty, but rather stands behind its reputation for customer service and satisfaction.

Simply stated, we will consider requests for service or repair of Weatherby® firearms without charge on a case by case basis. A determination will be made taking into consideration such things as the age and condition of the firearm, and the circumstances surrounding its malfunction or other problem.

Weatherby, Inc. will not be responsible for defects resulting from ordinary wear and tear, alterations by unauthorized persons, accidents, misuse, use of incorrect or other than factory loaded ammunition, or failure to provide reasonable and normal maintenance.

Should any Weatherby® firearm require service or repair under this service policy, it must be delivered transportation prepaid to a Weatherby Authorized Service Center (names and addresses of which can be supplied by Weatherby upon request). The product must be accompanied by a proof of purchase and a letter explaining the problem. It should also be insured by the owner at the time of shipment, as Weatherby, Inc. can accept no responsibility for damage or loss in transit. Weatherby will pay all charges to return the product to the owner if it is accepted for service or repair without charge under the provisions of this service policy. Weatherby, Inc. also reserves the right to repair or replace any product at our sole discretion.

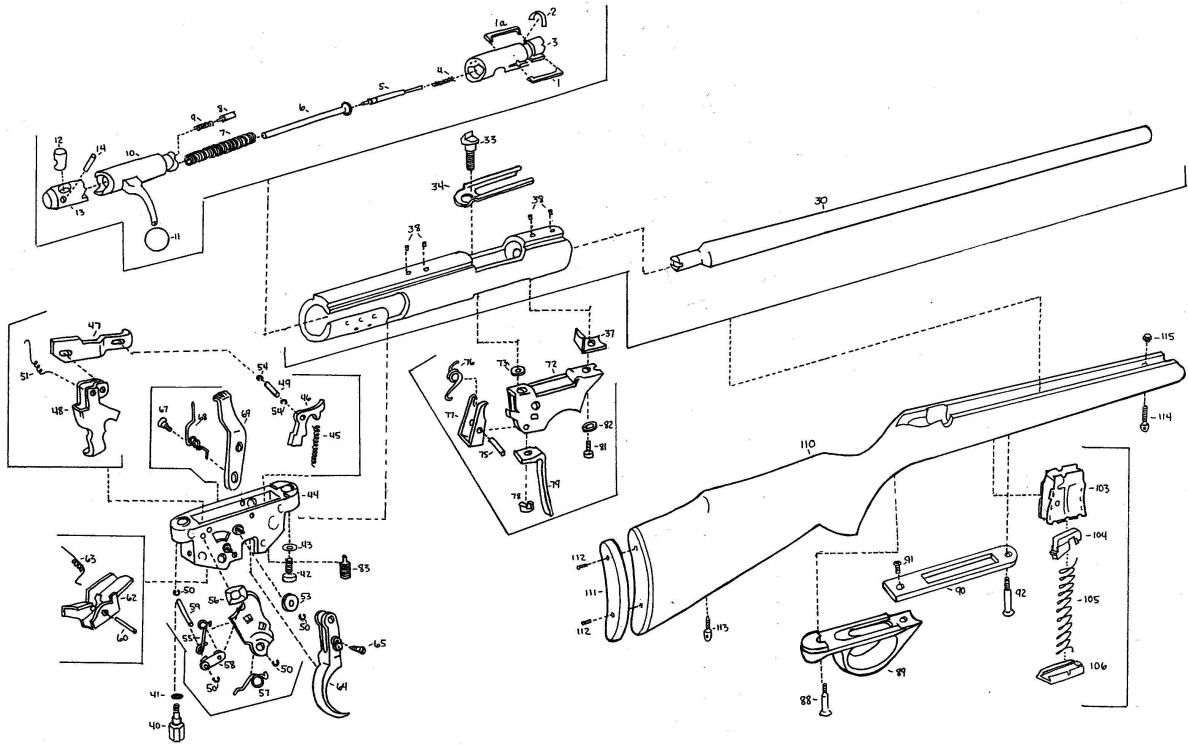
WEATHERBY, INC. SHALL NOT BE LIABLE FOR ANY CONSEQUENTIAL, INCIDENTAL OR CONTINGENT DAMAGES.

***WARNING!!* Before shipping any firearm besure that it is unloaded. Do not ship ammunition with any firearm**

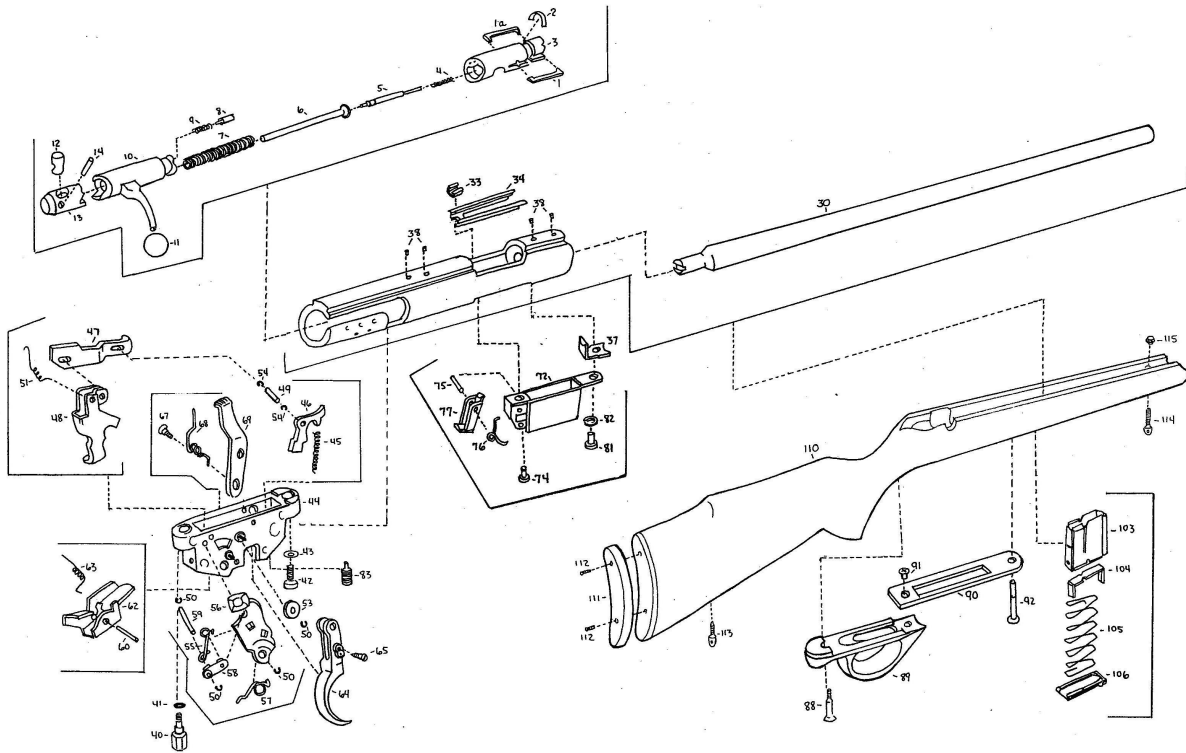
PARTS LIST

1	Extractor	74	Screw
1a	Cartridge retainer	75	Pin, cylindrical
2	Spring clamp	76	Spring, torsion
3	Bolt head	77	Magazine retainer
4	Spring, compression	78	Nut
5	Firing pin	79	Guide
6	Pin, striker	81	Screw
7	Spring, striker	82	Spring washer
8	Catch bolt	88	Screw
9	Spring, compression	89	Trigger guard
10	Bolt	90	Floor plate
11	Bolt knob	91	Screw
12	Bolt guide	92	Screw
13	Cocking piece	103	Magazine tube
14	Pin, cylindrical	104	Magazine follower
30	Barrel	105	Follower spring
33	Ejector	106	Magazine floor plate
34	Bolt guide	110	Stock
37	Cartridge guide	111	Recoil pad
38	Screw, set	112	Screw, recoil pad
40	Threaded bolt	113	Swivel stud, rear
41	Spacer	114	Swivel stud, front
42	Screw	115	Nut, front swivel stud
43	Spring washer		
44	Trigger housing		
45	Spring, Trigger		
46	Cam lever		
47	Release plunger		
48	Catch link		
49	Pin		
50	Retaining clip		
51	Spring, torsion		
53	Washer		
54	Retaining clip		
55	Spring, torsion		
56	Safety lever		
57	Spring		
58	Lever catch		
59	Pin		
60	Pin cylindrical		
61	Pin cylindrical		
62	Latch release		
63	Spring, torsion		
64	Trigger		
65	Screw, adjusting		
67	Screw, shoulder		
68	Spring, torsion		
69	Bolt release lever		
72	Magazine guide		
73	Washer		

EXPLODED VIEW DIAGRAM 17 HMR



EXPLODED VIEW DIAGRAM 22 LR



**SUGGESTIONS FOR GETTING TOP
PERFORMANCE FROM YOUR
WEATHERBY® MARK XXII® BOLT
ACTION RIMFIRE RIFLE**

1. Make sure all trigger guard screws are tight before firing your rifle. Always tighten the front guard screw first and the rear last. Loose trigger guard screws not only contribute to inaccuracy but can also cause damage. Check these screws periodically as recoil and changes in atmospheric conditions can cause them to work loose.
2. Be sure your scope is secure. Loose mount screws are a definite source of inaccuracy. If you experience accuracy problems it is our recommendation that you contact your local gunsmith or an Authorized Weatherby Service Center to check the scope.
3. The accuracy of any firearm can vary depending upon the brand and type of ammunition and bullet used in it. If your rifle does not exhibit the consistent accuracy you expect, you should try several brands and types of ammunition, after referring to points 1 and 2 above, before concluding that it is "inaccurate".
4. If there should ever occur a noticeable change in point of impact or opening of groups, and you have checked the above potential sources of inaccuracy, it is possible that there has been a slight dimensional change in the stock due to atmospheric variations. This can happen to any wood stock no matter how well sealed. The remedy is usually minor rebedding of the barrel. Contact a Weatherby Authorized Service Center, our Service Department or your local gunsmith.

DO NOT ALTER THE STOCK BEDDING IN ANY WAY. Once a stock has been altered, it cannot be reworked by our Service Department or a Weatherby Authorized Service Center and voids your warranty .
5. Consult the factory before returning any product for inspection or repair.

WARNING!! Before shipping any firearm be sure that it is unloaded. Do not ship ammunition with any firearm

CLEANING THE BOLT ASSEMBLY

1. Using a lint-free cloth, clean the bolt body and all parts of the firing pin bolt sleeve assembly, and dry with a clean cloth.
2. With a clean cloth, wipe the firing pin bolt sleeve assembly leaving only a light coat of gun lubricant on all parts.
3. Reassemble the bolt (refer to Reassembly of Rifle, page 11).
4. With a clean cloth, wipe the exterior of the bolt body, leaving a light coat of gun lubricant.

CLEANING THE MAGAZINE

1. Using a lint-free cloth, clean the outside of the magazine assembly, and dry with a clean cloth.
2. With a clean cloth, wipe the magazine assembly leaving only a light coat of gun lubricant on all parts.

CLEANING THE TRIGGER GUARD ASSEMBLY

1. Using a lint-free cloth, clean all trigger guard assembly parts with gun-cleaning solvent, and dry with a clean cloth.
2. With a clean cloth, apply a light coat of gun oil to all trigger guard assembly parts.

CLEANING THE STOCK

Usually, wiping the stock with a dry clean cloth or a silicon cloth is all that is necessary. If you have been hunting or shooting with a wood stock in wet weather, let the stock dry before reassembly.

RUST PREVENTION AND REPAIR

During normal maintenance, after a thorough cleaning, allow 2-3 hours at room temperature, for all metal parts to dry completely. Apply a liberal amount of high grade Gun Oil , wiping off any excess with a clean dry cloth. If rusting does occur it may only be surface rust due to excessive moisture. You may be able to clean it by using a plastic bristle gun cleaning brush and gun cleaning solvent. If you are unable to remove rust on your rifle, please contact a Weatherby Authorized Service Center or your local gunsmith. Immediate attention to this problem is imperative to prevent irreparable rust damage.

DO NOT ALLOW RUST TO GO UNTREATED!

STORING YOUR RIFLE

Your Weatherby® Mark XXII® bolt action rimfire rifle may be stored fully assembled (*refer to Assembly Instructions, page 11*).

Do not store your rifle in a leather case, scabbard or foam lined gun case. Leather and foam can attract moisture and cause rusting.

For your safety, and the safety of others, store your rifle with a lock or other safety device properly installed; and store your ammunition in a separate, locked location.

CLEANING YOUR WEATHERBY® MARK XXII® BOLT ACTION RIMFIRE RIFLE

Any firearm requires regular cleaning and periodic maintenance. To assure safe and reliable functioning of your Weatherby® Mark XXII® bolt action rimfire rifle, it is very important that you clean it immediately after each use, and periodically during extended storage periods, to remove powder residue, dirt, dust, excess lubricant, and to prevent rust. During cleaning, inspect components to determine whether they are in proper working order.

A basic cleaning kit consists of proper sized cleaning rod, bore brush(es), patches, gun cleaning solvent, gun lubricant, and lint-free cloths. The cleaning rod must have a tip with a slot into which patches can be inserted. Additionally, tooth brushes, cotton swabs and pipe cleaners are very handy tools for cleaning away dirt in hard to reach places.

To properly clean your rifle, it must first be disassembled (*refer to Disassembly of Rifle, page 10*), the parts and components cleaned as discussed below, then reassembled.

CAUTION: *Apply solvents and lubricants properly and sparingly. Do not spray or apply directly on ammunition. Solvents and lubricants may affect the propellant, causing it not to ignite, but the energy from the primer may be sufficient to propel the propellant and bullet into the bore of the barrel, causing an obstruction, and resulting in damage to the rifle and serious injury to the shooter and bystanders upon firing a subsequent cartridge.*

CLEANING THE BARREL

1. With a proper size bore brush attached to the cleaning rod, apply gun cleaning solvent to the brush.
2. Push the brush all the way through the barrel bore several times from the chamber end.
3. With a clean patch inserted in the tip attached to the cleaning rod, push the rod all the way through the barrel bore from the chamber end until the cloth emerges from the muzzle. Remove the dirty patch and withdraw the rod.
4. Repeat step 3 as many times as needed until the patch is clean as it emerges from the muzzle.
5. Insert a patch saturated with gun lubricant into the cleaning rod tip and push it through the bore from the chamber end. Remove the patch and withdraw the rod.
6. Insert a dry, clean patch into the cleaning rod tip and push it through the bore from the chamber end, to remove excess lubricant. Remove the patch and withdraw the rod.
9. Apply a thin coat of gun lubricant to the exterior of the barrel using a soft clean patch.

**WARNING!! Excess lubrication in the bore or chamber of any firearm may create excessive chamber pressures or a partial bore obstruction, resulting in possible damage to the firearm and serious injury to the shooter and bystanders upon firing.
BE SURE ALL EXCESS LUBRICANT HAS BEEN REMOVED.**

CLEANING THE RECEIVER AND TRIGGER

1. Using a small lint-free cloth, clean the inside and outside of the receiver and the outside of the trigger assembly with gun-cleaning solvent and dry thoroughly with a clean cloth.

NOTE: DO NOT LEAVE AN EXCESSIVE AMOUNT OF OIL ON ANY PARTS, ESPECIALLY THE RECEIVER. CHECK THE CHAMBER TO MAKE SURE IT IS FREE OF OIL.



Fig. 5

7. Field strip the bolt: (refer to Fig. 5)

- A. Hold the bolt in one hand near the bolt handle.
- B. With the second hand take hold of the end of the bolt that houses the firing pin.
- C. With the second hand rotate the bolt end one quarter turn to the right.
- D. The end of the bolt will disconnect from the bolt body allowing the firing pin and firing pin spring to be removed from the bolt end (caution if the bolt is not held parallel to the ground the firing pin and firing pin spring may fall from the bolt end).

REASSEMBLY OF RIFLE

These instructions assume the rifle has been disassembled as described in Disassembly of Rifle above.

1. Reassemble the bolt as follows:

- A. Make sure the firing pin spring and firing pin are in the firing pin cavity of the bolt.
- B. Align the bolt body with the bolt end, pushing the two parts together until the gap between them is diminished.
- C. Rotate the bolt clockwise until the two parts lock.
- D. To insure the bolt end is assembled correctly to the bolt body visually inspect the assembly. Look at the bolt from the firing pin end. When the flat part of the bolt end is down, the bolt handle should point to the 10 o'clock position.
- E. If the bolt end flat is on the top than rotate the bolt end 180 degrees.

2. Insert the bolt assembly into the receiver (refer to Inserting Bolt Assembly Into Rifle, page 7).

3. Replace the receiver barrel and trigger assembly into the stock.

4. Place the trigger guard assembly into its cavity and hold in place.

5. Insert the trigger guard screws (Note: The shorter screw is the rear trigger guard screw and the longer screw is the front trigger guard screw).

6. With a screwdriver of the proper size, lightly tighten both trigger guard screws.

7. Grasp the barrel and pull it to the rear to seat the barrel and receiver properly in the stock.

8. Tighten the front trigger guard screw firmly and then tighten the rear trigger guard screw firmly.

UNLOADING THE RIFLE

ALWAYS UNLOAD YOUR RIFLE IMMEDIATELY AFTER YOU FINISH SHOOTING.

Keep the muzzle of the rifle pointed in a safe direction and your fingers out of the trigger guard and away from the trigger at all times while unloading the rifle.

1. Move the safety lever to the “SAFE” (rearward) position (*refer to Manual Safety Operation, page 4*).
2. Raise the bolt handle and pull the bolt to the rear to extract and eject any chambered cartridge.
3. Place one hand under the magazine and depress the magazine release button to release the magazine from the receiver.
4. Visually double check the chamber and the magazine to make sure there are no cartridges remaining in the rifle.

WARNING!! If the bolt is pushed all the way forward and a cartridge is in the magazine or the chamber, that cartridge can be fired. ALWAYS DOUBLE CHECK THE MAGAZINE AND THE CHAMBER.

DISASSEMBLY AND REASSEMBLY OF RIFLE

DISASSEMBLY OF RIFLE

Before attempting to disassemble your Weatherby® Mark XXII® bolt action rimfire rifle, study the exploded view diagram on page 15 of this Owner’s Manual to familiarize yourself with the general appearance of each part.

Keep the muzzle of the rifle pointed in a safe direction and your fingers out of the trigger guard and away from the triggers at all times.

1. Unload the rifle. (refer to Unloading the Rifle, page 9).
2. Move the safety lever to the “SAFE” (rearward) position (refer to Manual Safety Operation, page 4).
3. Raise the bolt handle, pull the bolt all the way to the rear.
4. VISUALLY CHECK THE CHAMBER AND MAGAZINE TO BE CERTAIN THERE ARE NO CARTRIDGES IN THE RIFLE.
5. Remove the trigger guard assembly and stock
 - A. With a screw driver of the proper size, remove the front and rear trigger guard screws.
 - B. Remove the trigger guard assembly from the stock.
 - C. Remove the stock
6. Remove the bolt assembly (refer to Removing Bolt Assembly from Rifle, page 8)

4. Insert the loaded magazine into the receiver by aligning the magazine into the magazine frame attached to the receiver and pushing the magazine up into the receiver until the magazine is locked into position.

To load the chamber from the magazine:

Keep the muzzle of the rifle pointed in a safe direction and your fingers out of the trigger guard and away from the trigger.

- After inserting a loaded magazine into the receiver, rotate the bolt handle in the upwards direction until the bolt rotation stops.
- Pull the bolt backwards until the bolt stops, then push the bolt handle forward and lock the bolt by rotating the bolt handle downward. The bolt face will strip a cartridge from the magazine and push it forward into the chamber.

CAUTION: *The rifle is now loaded and ready to fire. Do not touch the trigger until YOU are ready to fire. Immediately move the safety lever fully rearward to the "Safe"(rearward) position.(Refer to Manual Safety Operation, page 4)*

To single-load the chamber:

Keep the muzzle of the rifle pointed in a safe direction and your fingers out of the trigger guard and away from the trigger.

- Pull the bolt backwards until the bolt stops
- Insert a cartridge of the correct caliber and type of ammunition (*refer to Ammunition, Page 5*) directly into the chamber.
- Push the bolt handle forward and lock the bolt by rotating the bolt handle downward.

CAUTION: *The rifle is now loaded and ready to fire. Do not touch the trigger until YOU are ready to fire. Immediately move the safety lever fully rearward to the "Safe"(rearward) position.(Refer to Manual Safety Operations, page 4)*

LOADING THE MAGAZINE

1. With the magazine removed from the rifle receiver hold the magazine in one hand with one cartridge of the correct caliber and type (*refer to Ammunition, Page 5*) in the other.
2. The first to be inserted into the magazine will contact the colored follower. Start with the cartridge half way along the length of the magazine and press it into the follower, sliding it rearwards until its base stops against the rear of the magazine.
3. Repeat this process with the second and subsequent cartridges contacting the top cartridge in the magazine, until the magazine is filled.

FIRING THE RIFLE

Pulling the trigger fires the rifle when the chamber is loaded.

1. With a cartridge of the correct caliber and type in the chamber (*refer to Loading the Rifle, page 8*), and ***keeping the muzzle of the rifle pointed in a safe direction and your fingers out of the trigger guard and away from the trigger***, move the safety lever forward to the "FIRE" (forward) position.
2. Hold the recoil pad firmly to your shoulder and carefully aim it at your intended target.
3. Squeeze (pull) the trigger with steadily increasing pressure until the rifle fires.

WARNING!! **Do not touch the trigger until you are actually ready to fire the rifle.**

as possible and pull the trigger, slide the bolt forward until the bolt handle enters the bolt slot of the receiver then release the bolt release lever and trigger.

4. The bolt now may be pushed forward to the fully closed position, and locked by exerting pressure downward on the bolt handle.

WARNING!! If ammunition is present in the chamber or the magazine, the rifle will be loaded, cocked and ready to fire by pulling (squeezing) the trigger with the bolt fully locked.

REMOVING BOLT ASSEMBLY FROM RIFLE

To remove the bolt assembly from the rifle, to check the barrel (bore) for obstructions, for cleaning, or for other purposes:

Keep the muzzle of the rifle pointed in a safe direction and your fingers out of the trigger guard and away from the trigger at all times.

1. Move the safety lever to the "Off" (forward) position (*refer to Manual Safety Operation, Page 4*) and remove all ammunition from chamber and magazine (*refer to Unloading the Rifle, Page 10*).
2. Raise the bolt handle and pull the bolt fully to the rear.
3. Apply pressure to the bolt release lever and depress the trigger.
4. Withdraw the bolt from the receiver.

CHECKING FOR AND CLEARING BARREL (BORE) OBSTRUCTIONS

WARNING!! Never attempt to remove an obstruction from the barrel (bore) by loading another cartridge in the chamber and firing! This will cause excessive pressures which may result in death or serious injury and damage to your rifle.

The barrel (bore) of your Weatherby® Mark XXII® bolt action rimfire rifle should always be checked for obstructions as follows before loading, and immediately following any occurrence in the field which might result in mud, dirt or other debris entering the bore:

1. Point the firearm in a safe direction and remove all ammunition from the chamber and magazine. (*refer to Unloading the Rifle, Page 10*).
2. Remove the bolt (*refer to Removing Bolt Assembly from Rifle, Page 8*).
3. Look through the barrel (bore) from the chamber end to the muzzle.

If there is an obstruction, select the proper size cleaning rod and push it from the chamber end all the way through the barrel until the end of the rod exits from the muzzle. If the obstruction can not be easily cleared from the barrel (bore), contact a Weatherby Authorized Service Center or your local gunsmith.

LOADING THE RIFLE

1. ***Keeping the muzzle of the rifle pointed in a safe direction and your fingers out of the trigger guard and away from the trigger***, move the safety lever to the "SAFE" (rearward) position. (*refer to Manual Safety Operation, Page 4*)
2. If a magazine is installed in the receiver, remove it from the receiver by depressing the magazine release button.
3. Load the magazine (*refer "Loading the magazine" page 9*).

6. Replace the stock and trigger guard assembly (refer to Reassembly of Rifle, page 11).

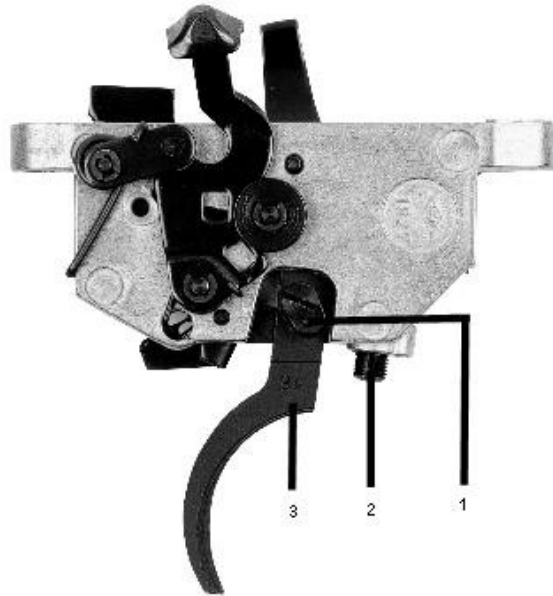


Fig. 3

SCOPE MOUNT

The Weatherby® Mark XXII® bolt action rimfire rifle comes with a grooved 11mm rail to accept mounts for scopes. (See fig.4)

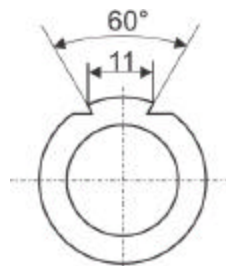


Fig.4

OPERATING INSTRUCTIONS

INSERTING BOLT ASSEMBLY INTO RIFLE

The bolt of your Weatherby® Mark XXII® bolt action rimfire rifle was packaged separately in the shipping carton in which it was received by your dealer, and may have been removed from the rifle at other times, such as for cleaning or to check the barrel (bore) for obstructions.

To assemble the bolt into the rifle:

Keep the muzzle of the rifle pointed in a safe direction, and your fingers out of the trigger guard and away from the trigger at all times.

1. **ALWAYS check to make certain there is no ammunition in the chamber or magazine.**
2. Move the safety lever forward to the “OFF” position (refer to Manual Safety Operation, page 4).
3. Fit the forward end of the bolt assembly into the rear opening of the receiver, depress the bolt release lever as far

WARNING!!

Use of incorrect or overloaded ammunition can result in death or serious injury and damage to your firearm due to excessive pressure. Even the strongest firearm can be "blown up" by excessive pressure. Use only factory-loaded ammunition of the correct caliber and type for your rifle as marked on the rifle's barrel.

The accidental chambering and discharge of ammunition of the wrong caliber or type can result in damage to your gun and possible injury to the shooter. Carry only the proper caliber and type ammunition with you when shooting.

Always wear shooting glasses and hearing protectors when shooting.

AMMUNITION NOTICE

WEATHERBY, INC. SPECIFICALLY DISCLAIMS RESPONSIBILITY FOR ANY INJURY OR DAMAGE WHATSOEVER OCCURRING IN CONNECTION WITH, OR AS A RESULT OF, THE USE OF FAULTY, OR NON-STANDARD, OR "REMANUFACTURED" OR HAND-LOADED (RELOADED) AMMUNITION, OR OF AMMUNITION OTHER THAN FOR WHICH THE FIREARM WAS ORIGINALLY CHAMBERED.

TRIGGER ASSEMBLY

The trigger of your Weatherby Mark XXII® bolt action rimfire rifle has been pre-set at the factory for optimum pull weight and creep to assure the utmost safety. The trigger assembly has two adjusting screws. Read the instructions for making adjustments below.

WARNING!! Do not attempt to adjust the sear engagement, make any adjustments other than as described below, or modify the trigger assembly in any way. Modifications will void your warranty. Improper adjustment or modification of any firearm trigger assembly can result in the firearm discharging prematurely due to a "hair trigger", minor bumps or movement, possibly resulting in serious injury or death.

Pulling the trigger fires the rifle when the chamber is loaded.

***CAUTION:** Never put your finger on the trigger unless you intend to fire the rifle.*

To adjust the trigger:

1. Unload the rifle (refer to Unloading the Rifle, page 10), remember to **VISUALLY CHECK THE CHAMBER AND MAGAZINE TO BE CERTAIN THERE ARE NO CARTRIDGES IN THE RIFLE.**
2. Remove the trigger guard assembly and stock (refer to Disassembly of Rifle, page 10).
3. Adjust the trigger pull weight with screw #2 (see Fig. 3)
 - A. Using a flat screwdriver of proper size, turn screw #1 clockwise (right) to increase the trigger pull weight and counter clockwise (left) to decrease the trigger pull weight.
4. Adjustment of sear engagement (screw #1) is to be performed only by a Weatherby® Authorized Service Center).
5. **CAUTION:** If the trigger is not adjusted correctly malfunctions may occur, and the rifle may be rendered unsafe.

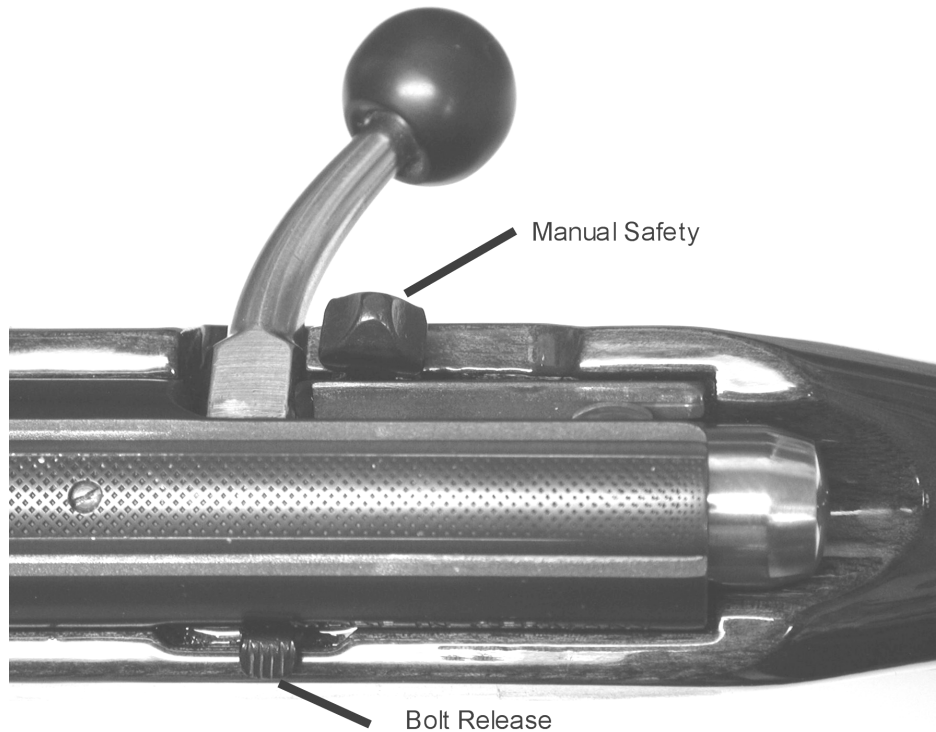


Fig. 2

WARNING!!

Never rely on any mechanical safety mechanism or device to prevent the dangers of careless handling or pointing a firearm in an unsafe direction.

When manipulating the manual safety, keep all fingers outside the trigger guard. The rifle will fire if the trigger is pulled when the safety is not in the "SAFE" position.

The safety should always be in the "SAFE" position except when the rifle is intended to be fired.

Never Pull the triggers unless you intend to fire, even when the safety is in the "SAFE" position.

AMMUNITION

Weatherby® Mark XXII® bolt action rimfire rifle are chambered for rimfire cartridges for which factory-loaded ammunition is manufactured in accordance with U.S. industry standards and is commercially available. The correct caliber and type of ammunition for each rifle is marked on the left side of the barrel in front of the receiver.

Exercise care to assure that you are using only the correct ammunition for your rifle. Always make certain that the caliber and type indicated on the cartridge head stamp matches the ammunition caliber and type marked on the barrel of your rifle.

ACTION RIMFIRE RIFLE

With proper care as outlined in this manual, your Weatherby® Mark XXII® bolt action rimfire rifle should give you many years of dependable use and shooting pleasure.

The picture below shows the main parts of Weatherby® Mark XXII® bolt action rimfire rifle. Please refer to it when reading this manual. It will aid in understanding the terminology.

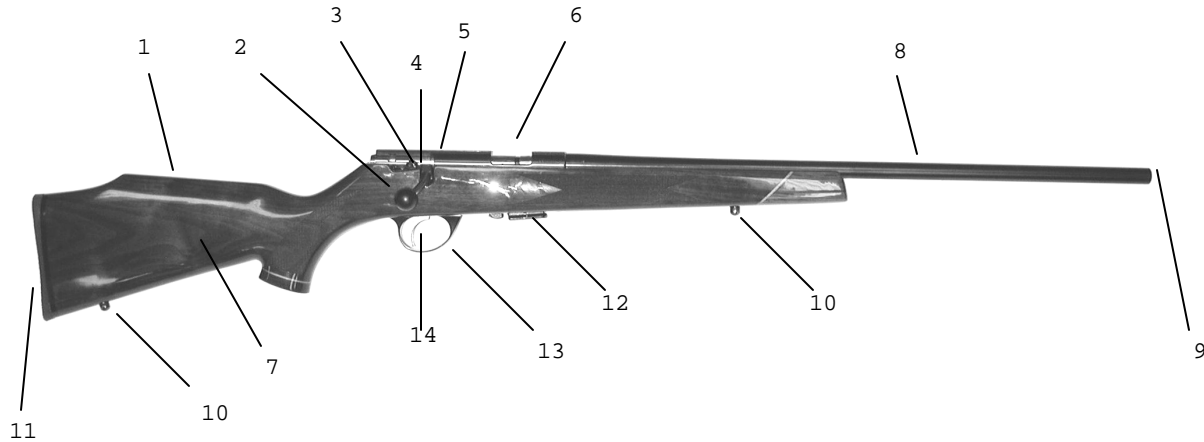


Fig. 1

- | | |
|-------------------|-----------------------|
| 1) Cheek Piece | 2) Bolt Handle |
| 3) Safety | 4) Bolt |
| 5) Receiver | 6) Ejector Port |
| 7) Stock | 8) Barrel |
| 9) Muzzle | 10) Sling Swivel Stud |
| 11) Recoil Pad | 12) Magazine |
| 13) Trigger Guard | 14) Trigger |

MANUAL SAFETY OPERATION

The manual safety on your Weatherby® Mark XXII® bolt action rimfire rifle is located on the side of the receiver behind the bolt handle. When in proper condition and correctly engaged in the "SAFE" position, the manual safety disengages the sear preventing accidental discharge under normal usage.

The manual safety can be moved between the "SAFE" (rearward) and "FIRE" (forward) positions at any time the firing mechanism is cocked, regardless of whether the rifle is loaded or not. **To minimize the possibility of accidental discharge, always be placed the safety in the "SAFE" position except when the rifle is intended to be fired.**

To engage the manual safety, move the safety button rearward with your thumb until it stops and stays in place in the "SAFE" position (the red dot is no longer visible when the safety is on "SAFE"). Fig. 2

To disengage the manual safety, push the slide forward with your thumb until it stops and stays in place in the "OFF" or "FIRE" position (red dot is visible).

INDEX

• Introduction	Page 1
• Safety - First and Foremost	Page 2
• Index	Page 3
• General Overview	Page 4
• Manual Safety Operation	Page 4
• Ammunition	Page 5
• Trigger Assembly	Page 6
• Scope Mount	Page 7
• Operating Instructions	Page 7
· Inserting Bolt Assembly Into Rifle	Page 7
· Removing Bolt Assembly From Rifle	Page 8
· Checking for and Clearing Barrel (bore) Obstructions	Page 8
· Loading the Rifle	Page 8
· Loading the Magazine	Page 9
· Firing the Rifle	Page 9
· Unloading the Rifle	Page 10
• Disassembly and Reassembly of Rifle	Page 10
· Disassembly of Rifle	Page 10
· Reassembly of Rifle	Page 11
• Cleaning Your Weatherby Mark XXII® Bolt Action Rimfire Rifle	Page 12
· Cleaning the Barrel	Page 12
· Cleaning the Receiver and Trigger	Page 12
· Cleaning the Bolt Assembly	Page 13
· Cleaning the Magazine	Page 13
· Cleaning the Trigger Guard Assembly	Page 13
· Cleaning the Stock	Page 13
· Rust Prevention and Repair	Page 13
• Storing Your Rifle	Page 13
• Suggestions for Getting Top Performance from Your Weatherby® Mark XXII® Bolt Action Rimfire Rifle	Page 14
• Exploded View Diagram 22 LR	Page 15
• Exploded View Diagram 17 HMR	Page 16
• Parts Listing	Page 17
• WeatherbyService Policy	Page 18
• Ten Commandments of Firearms Safety	Page 19
• Exercise Extreme Caution	Page 20

WEATHERBY® MARK XXII® BOLT

- SAFETY - FIRST AND FOREMOST

FIREARMS ARE DANGEROUS WEAPONS WHICH CAN CAUSE SERIOUS INJURY OR DEATH. WHEN USING ANY FIREARM, SAFETY MUST BE YOUR FIRST AND CONSTANT CONCERN.

READ AND UNDERSTAND THE FOLLOWING SAFETY RULES

KNOW YOUR FIREARM. Before assembling or using your Weatherby® Mark XXII® bolt action rimfire rifle, read and understand the instructions and safety warnings contained in this Owner's Manual in order to learn how to use the firearm safely and correctly.

ALWAYS TREAT YOUR FIREARM AS IF IT WERE LOADED. Use the manual slide-type safety as outlined in this manual. Never move the safety to "FIRE" until YOU are ready to fire.

KEEP THE MUZZLE POINTED IN A SAFE DIRECTION. The safe direction may be "up" on some occasions, and "down" on others. Never point the muzzle toward anything not intended as a target.

USE ONLY THE CORRECT AMMUNITION FOR YOUR FIREARM. Be sure to use only the correct ammunition for your Weatherby® Mark XXII® bolt action rimfire rifle as stamped on the left side of the barrel.

ALWAYS UNLOAD YOUR FIREARM WHEN NOT SHOOTING. Never transport or store a loaded firearm in a vehicle or building. Unload your firearm before climbing a fence or obstruction, or entering a slippery area.

MAINTAIN YOUR FIREARM. Keep the barrel clean and free of obstructions. Clean your firearm regularly and have it inspected periodically to make sure it is mechanically correct and functioning properly. Worn or damaged parts can be dangerous.

DO NOT MAKE ADJUSTMENTS. Never make changes or alterations to your firearm. Use only Weatherby® parts. Do not make any adjustments to the trigger, or change the shape or size of the sear or other parts. Repair should be performed by a Weatherby Authorized Service Center.

MAKE YOURSELF SAFE. Always wear shooting glasses. When target shooting or plinking, use ear protection also. Never drink alcoholic beverages before or during shooting.

REMEMBER - FIREARMS SAFETY DEPENDS ON YOU!!

INTRODUCTION

Thank you for buying a Weatherby® firearm, and welcome to the family. We realize that you had many products to choose from and hope you feel as we do, that you purchased the finest quality production firearm on the market today.

When my late father started this company in 1945, it was as a means to turn his revolutionary vision of rifle design and cartridge performance into practical realities.

At the time, I'm sure he had little idea that the Weatherby® name would come to be one of the most respected and revered in the firearms industry. That is a level of respect we appreciate and you have our assurance that it will not be taken for granted.

This Owner's Manual is designed to assist you in learning how to use and care for your Weatherby® Mark XXII® bolt action rimfire rifle. Please read it very carefully and follow all instructions and safety warnings.

In closing, let me assure you that we are committed to the hunter, shooter and sportsman; and to delivering the uncompromising craftsmanship, performance and value that you require in all that we do.

Good Shooting!