



ORION SPORTING

OVER/UNDER

SUPPLEMENTAL INSTRUCTION MANUAL

**-SAFETY-
FIRST AND FOREMOST**

FIREARMS ARE DANGEROUS WEAPONS, WHICH CAN CAUSE SERIOUS INJURY OR DEATH. WHEN USING ANY FIREARM, SAFETY MUST BE YOUR FIRST AND CONSTANT CONCERN.

KNOW YOUR FIREARM. Before assembling or using your Weatherby® Over/Under shotgun, read and understand the instructions and safety warnings contained in the Owner's Manual in order to learn how to use the firearm safely and correctly.

KEEP THE MUZZLE POINTED IN A SAFE DIRECTION. The safe direction may be "up" on some occasions, and "down" on others. Never point the muzzle toward anything not intended as a target.

IDENTIFYING CHOKE TUBE CONSTRICTION

	SKEET (SK)	IMPROVED CYLINDER (IC)	MODIFIED (MOD)	IMPROVED MODIFIED (IM)	FULL (FULL)
NOTCH ON TOP					

NOTES

ADJUSTING THE COMB

Weatherby® Orion Sporting models come equipped with an adjustable comb stock. The comb can be adjusted for height and side to side position. If your shotgun has an adjustable comb, follow these instructions for adjustment.

Keep the muzzle of the shotgun pointed in a safe direction, and keep your fingers out of the trigger guard and away from the trigger at all times.

1. Move the manual safety slide to the "SAFE" position (*refer to Manual Safety Operation, page 9*).
2. Unload the shotgun (*refer to Unloading the Shotgun, page 19*).
3. Using a hex wrench of the proper size, loosen the two adjustable comb set screws in the right side of the comb (as viewed from the rear of the gun).
4. Slide the comb up until it is completely free of the buttstock and set aside.

NOTE: The set screws are not meant to be removed completely from the comb. To avoid damage to the wood, do not back the set screws too far out of the comb

5. Using a hex wrench of the proper size, loosen the two adjustable comb shaft screws. Only loosen the screws, do not remove completely.
6. Place the comb back on the adjustable comb shafts while they are still loose, then maneuver the comb side to side to the desired position.
7. Remove the comb again while making sure not to move the adjustable comb shafts.
8. Tighten the adjustable comb shaft screws.
9. Place the comb back onto the adjustable comb shafts and slide it up or down to the desired position, then tighten the adjustable comb set screws to lock it into place
10. Being sure to point the muzzle in a safe direction, shoulder the shotgun and check that the comb "fits" and allows proper sight alignment.

CLEANING THE OUTSIDE OF THE BARREL SET

Using a patch or clean cloth saturated with cleaning solvent, wipe down all accessible surfaces of the barrels and rib. (A clean toothbrush may be useful for cleaning the lugs and corners of the barrels.)

For Sporting models with ported barrels: clean the barrel ports with a plastic bristle gun cleaning brush and gun cleaning solvent. Be sure none of the ports are clogged.

With a clean, dry, lint-free cloth, remove all cleaning solvent.

Using a patch or clean cloth, apply a light coat of gun lubricant to the outside surfaces of the barrels, rib and paying particular attention to the lugs and bearing surfaces on the barrels, being careful to remove any excess lubricant

GENERAL ASSEMBLY

PARTS LIST

- 01) Receiver
- 02) Screw, Receiver (2)
- 03) Choke Tube (2)
- 04) Screw, Top Lever (FIO)
- 05) Spring, Pivot Lock (FIO)
- 06) Plunger, Pivot Lock Spring (FIO)
- 07) Locking Rod, right (FIO)
- 07) Locking Rod, left (FIO)
- 08) Pivot Lock (FIO)
- 09) Locking Slide (FIO)
- 10) Pin, Top Lever Plunger Retaining (FIO)
- 11) Plunger, Top Lever Spring (FIO)
- 12) Spring, Top Lever (FIO)
- 13) Top Lever (FIO)
- 14) Pin, Safety Slide (FIO)
- 15) Spring, Firing Pin (FIO) (2)
- 16) Firing Pin, Top (FIO)
- 16) Firing Pin, Bottom (FIO)
- 17) Pin, Firing Pin Retaining (FIO) (2)
- 18) Screw, Trigger Group, Top (FIO)
- 19) Cocking Piece, Right (FIO)
- 19) Cocking Piece, Left (FIO)
- 20) Screw, Trigger Group, Bottom (FIO)
- 21) Cocking Rods (2) (FIO)
- 22) Pin, Cocking Piece (FIO)
- 23) Screw, Safety Spring (FIO)
- 24) Spring, Safety (FIO)
- 25) Safety Plate (FIO)
- 26) Plunger, Cocking Piece Spring (FIO) (2)
- 27) Spring, Cocking Piece (FIO) (2)
- 28) Safety Slide (FIO)

BA01) Barrel Set (FIO)

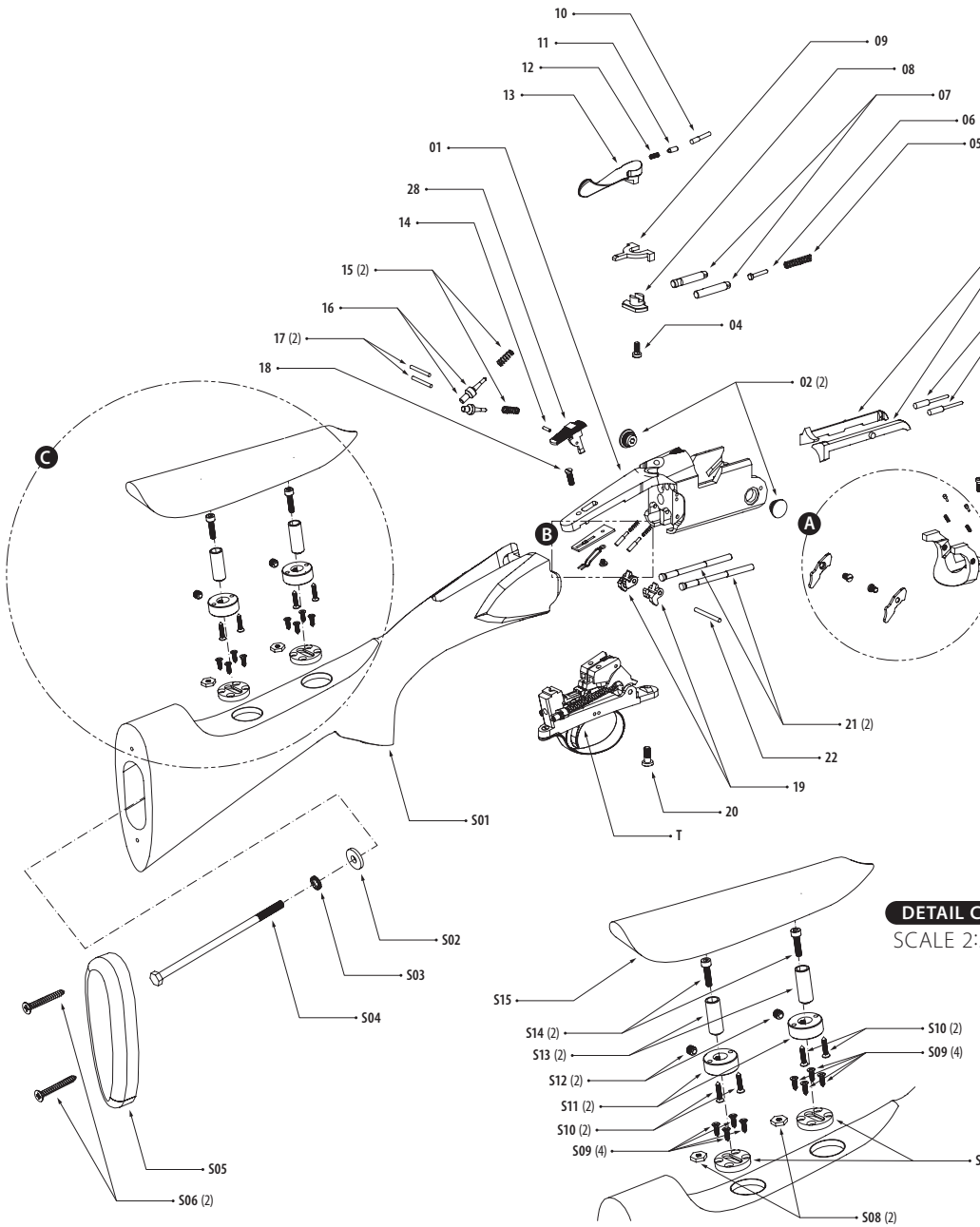
BA02) Spring, Ejector (2)
BA03) Ejector, Left (FIO)
BA03) Ejector, Right (FIO)
BA04) Plunger, Ejector Spring (2)
BA05) Front Sight

F01) Forend (FIO)
F02) Nut, Forend Irons (3)
F03) Spring, Forend Release Button
F04) Forend Release Button
F05) Screw, Forend Release Button
F06) Forend Locking Slide (FIO)
F07) Forend Iron, Front
F08) Screw, Forend Irons, Front (2)
F09) Screw, Forend Irons, Rear
F10) Cocking Lever, Right (FIO)
F10) Cocking Lever, Left (FIO)
F11) Screw, Cocking Lever (2)
F12) Forend Iron, Rear (FIO)
F13) Spring, Cocking Lever (2)
F14) Plunger, Cocking Lever Spring (2)

S01) Buttstock (FIO)
S02) Washer, Buttstock Bolt
S03) Washer, Buttstock Bolt, Locking
S04) Bolt, Buttstock
S05) Recoil Pad (FIO)
S06) Screw, Recoil Pad (2)
S07) Plate, Adjustable Comb (2)
S08) Nut, Adjustable comb Shaft Screw (2)
S09) Screw, Adjustable Comb Plate (8)
S10) Screw, Adjustable Comb Bushing (4)
S11) Bushing, Adjustable Comb (2)
S12) Set Screw, Adjustable Comb (2)
S13) Shaft, Adjustable Comb (2)
S14) Screw, Adjustable Comb Shaft (2)
S15) Adjustable Comb

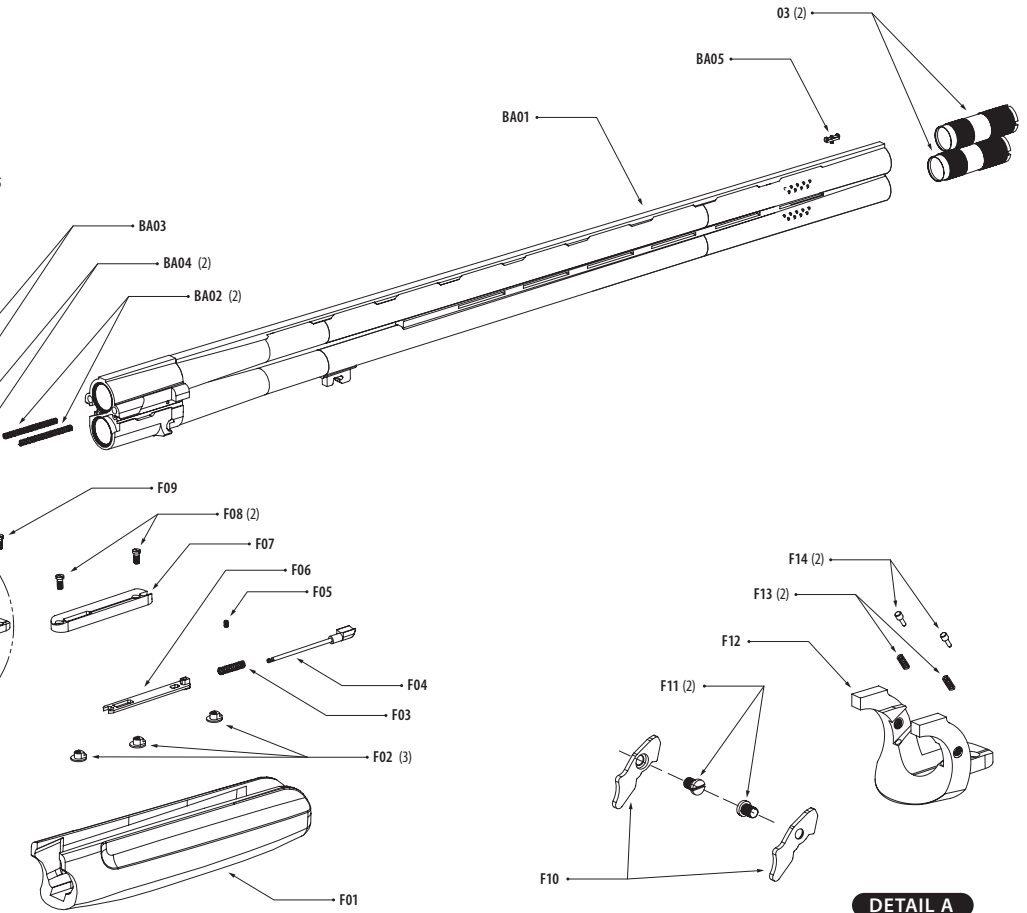
T) Trigger Group (see Orion Owner's Manual)

12GA ORION SPORTING - GEN

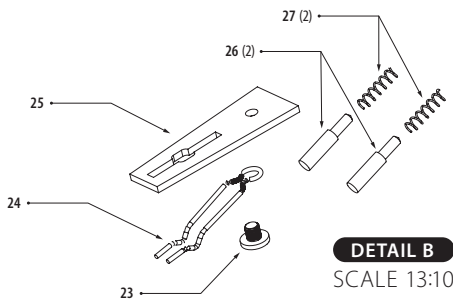


DETAIL C
SCALE 2:

GENERAL ASSEMBLY



DETAIL A
SCALE 7:10



DETAIL B
SCALE 13:10



ADVERTENCIA

Las armas de fuego deben manipularse de manera responsable y segura para evitar el acceso de niños y otros usuarios no autorizados. California tiene leyes estrictas relacionadas con armas de fuego, y usted puede ser multado o encarcelado si no las cumple. Visite el sitio web del Procurador General de California en <https://oag.ca.gov/firearms> para obtener información sobre las leyes de armas de fuego que le son aplicables y cómo puede cumplirlas.

Evite el acceso de niños manteniendo siempre las armas bloqueadas y descargadas cuando no estén en uso. Si mantiene un arma de fuego cargada donde un niño obtiene y la usa indebidamente, se le puede multar o enviarlo a la cárcel.



WARNING

Firearms must be handled responsibly and securely stored to prevent access by children and other unauthorized users. California has strict laws pertaining to firearms, and you may be fined or imprisoned if you fail to comply with them. Visit the Web site of the California Attorney General at <https://oag.ca.gov/firearms> for information on firearm laws applicable to you and how you can comply.

Prevent child access by always keeping guns locked away and unloaded when not in use. If you keep a loaded firearm where a child obtains and improperly uses it, you may be fined or sent to prison.